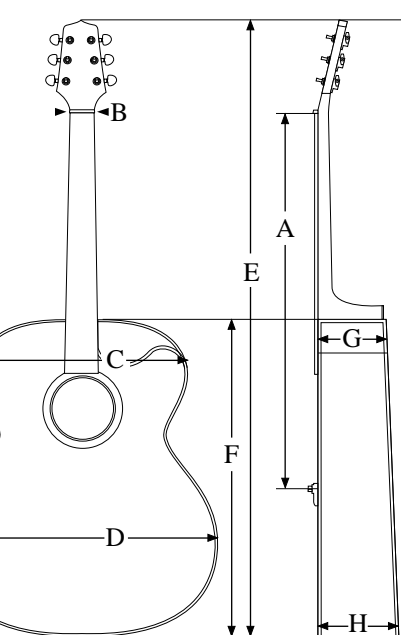
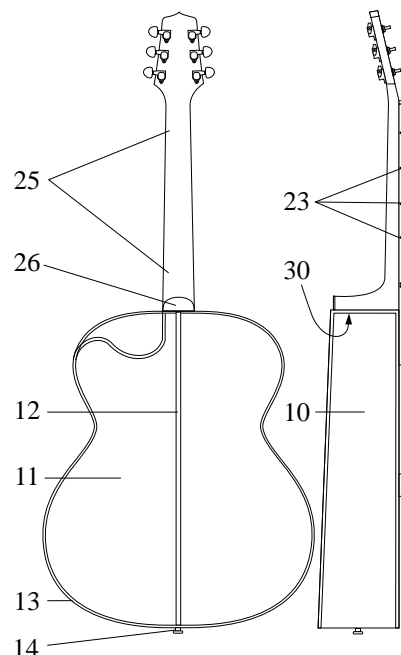
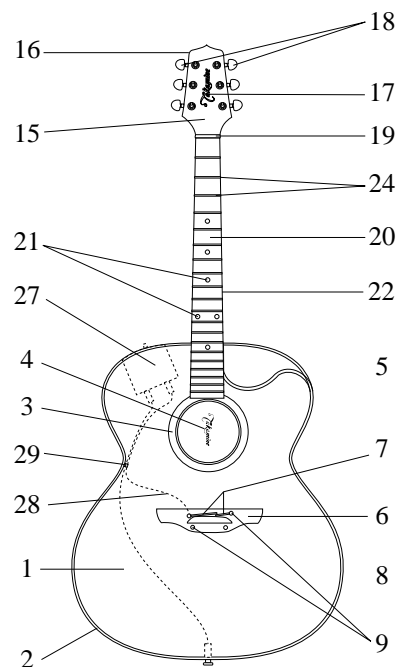


Specifications

Model #EAN-20C



COMPONENT	DESCRIPTION
Body style	Jumbo Cutaway
1. Top	Solid Cedar
Top Bracing	JC-1
2. Top Binding	Ivory & Brown, CAB
3. Rosette	Tinted Wood Rings
4. Soundhole Label/Stamp	Natural Series label
5. Pickguard	N/A
6. Bridge	Rosewood
7. Saddle	Bone - Two Piece Compensated
8. Bridge Pin	N/A
9. Bridge Inlay	White Acrylic / Black Acrylic
Bridge Bolts	Two w/ washers
10. Sides	Mahogany
11. Back	Solid Mahogany
12. Centerline Inlay	Ivory CAB
13. Back Binding	Ivory CAB
14. Strap Pin	End Pin Jack, Gold
15. Peghead Face	Rosewood
16. Peghead Binding	N/A
17. Peghead Logo	Gold
18. Machine Heads	Gold w/ Pearloid buttons
19. Nut	Bone
20. Fingerboard	Rosewood
21. Fingerboard Inlay	None
22. Fingerboard Binding	None
23. Fingerboard Side Markers	White Acrylic (#3, 5, 7, 9, 12, 15, 17)
24. Frets	Nickel
25. Neck	Mahogany
Truss Rod	Soundhole Access
Neck Joint	14 Fret Dovetail
26. Heel Cap	Ivory CAB
27. Preamp Assembly	CT-4B Preamp
28. Pickup Assembly	Palathetic Pickup
29. Cord Hook	CH1
30. Serial Number	Takamine paper sticker on heel block
Strings	D'Addario EXP light guage
Finish	Satin Polyurethane
<b>DIMENSIONS</b>	(inches rounded off from metric measurements)
A. Scale Length	644 mm      25-3/8" inches
B. Nut Width	42.5 mm      1-11/16"
C. Upper Bout Width	32 cm      12-9/16"
D. Lower Bout Width	43.5 cm      17-1/8"
E. Total Guitar Length	106 cm      41-3/4"
F. Total Body Length	53 cm      20-7/8"
G. Upper Bout Depth	10.5 cm      4-18"
H. Lower Bout Depth	12.5 cm      4-15/16"



BODY

NECK

MISC