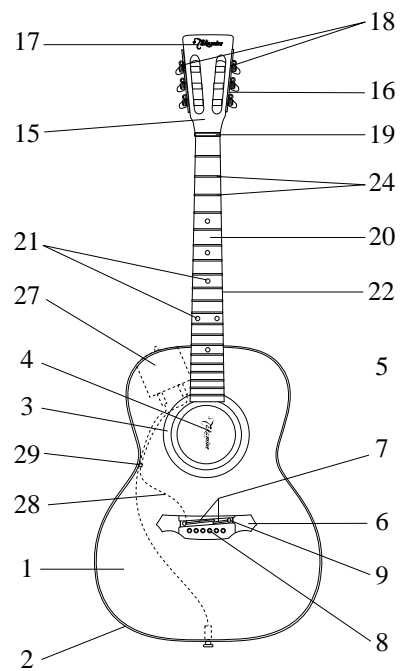


Specifications

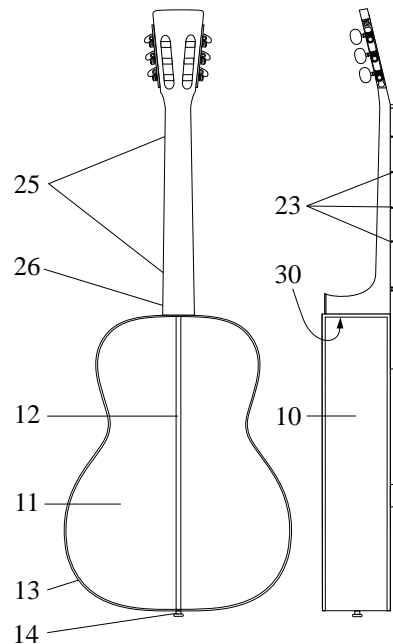
Model #EF-407



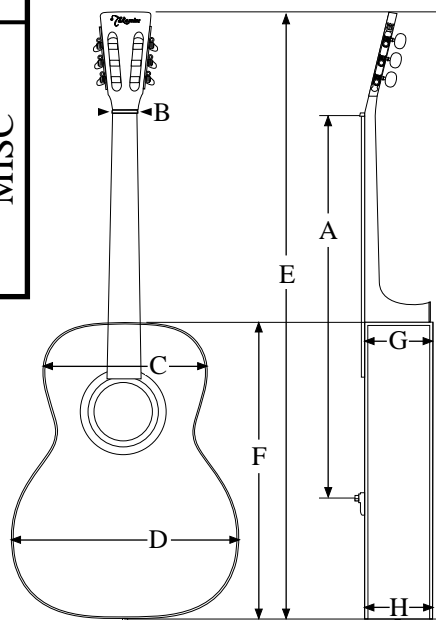
| COMPONENT | DESCRIPTION |
|------------------------------|---|
| Body style | New Yorker |
| 1. Top | Hawaiian Koa |
| Top Bracing | NY-1 |
| 2. Top Binding | Brown CAB binding w/ Ivory & Black CAB |
| 3. Rosette | Concentric Rings w/ Acrylic Pearl |
| 4. Soundhole Label/Stamp | Mountain Label |
| 5. Pickguard | N/A |
| 6. Bridge | Rosewood |
| 7. Saddle | Bone - Two Piece Compensated |
| 8. Bridge Pin | White w/ Black Dot |
| 9. Bridge Inlay | White Acrylic |
| Bridge Bolts | N/A |
| 10. Sides | Hawaiian Koa |
| 11. Back | Hawaiian Koa |
| 12. Centerline Inlay | Brown CAB |
| 13. Back Binding | Ivory CAB & Brown CAB |
| 14. Strap Pin | End Pin Jack, Gold |
| 15. Peghead Face | Rosewood |
| 16. Peghead Binding | N/A |
| 17. Peghead Logo | Gold |
| 18. Machine Heads | Gold w/ Pearloid buttons |
| 19. Nut | Bone |
| 20. Fingerboard | Rosewood |
| 21. Fingerboard Inlay | Diamond |
| 22. Fingerboard Binding | N/A |
| 23. Fingerboard Side Markers | White Acrylic (#3, 5, 7, 9, 12, 15, 17) |
| 24. Frets | Nickel |
| 25. Neck | Mahogany |
| Truss Rod | Soundhole Access |
| Neck Joint | 14 Fret Dovetail |
| 26. Heel Cap | Brown CAB |
| 27. Preamp Assembly | CT4B Preamp |
| 28. Pickup Assembly | Palathetic Pickup |
| 29. Cord Hook | CH1 |
| 30. Serial Number | Takamine paper sticker on heel block |
| Strings | D'Addario EXP-16 light gauge |
| Finish | Gloss Polyurethane |
| DIMENSIONS | (inches rounded off from metric measurements) |
| A. Scale Length | 630 mm 24-3/8" inches |
| B. Nut Width | 42.5 mm 1-5/8" |
| C. Upper Bout Width | 26.5 cm 10-7/16" |
| D. Lower Bout Width | 36 cm 14-3/16" |
| E. Total Guitar Length | 102 cm 40-3/16" |
| F. Total Body Length | 49 cm 19-5/16" |
| G. Upper Bout Depth | 9 cm 3-9/16" |
| H. Lower Bout Depth | 10.5 cm 4-1/8" |



BODY



NECK



MISC