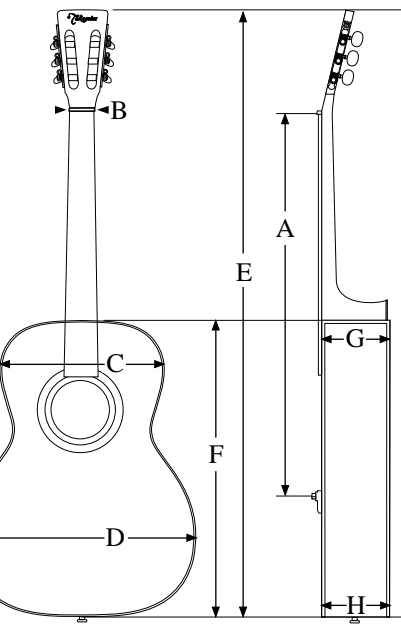
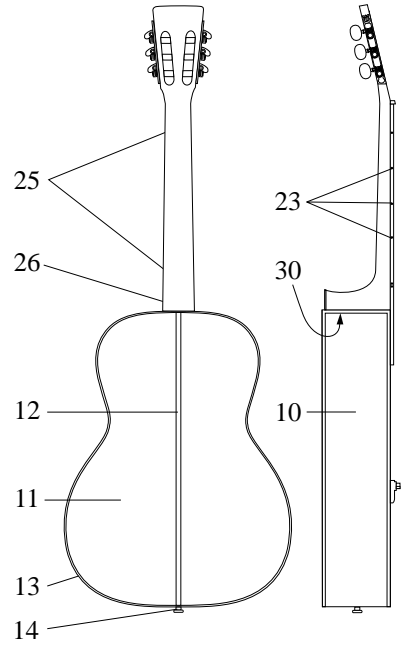
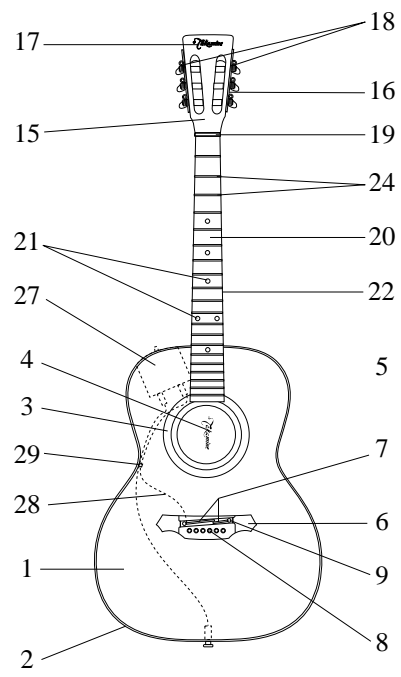


Specifications

Model #EF-417S



COMPONENT	DESCRIPTION
Body style	New Yorker
1. Top	Solid Bear Claw Spruce
Top Bracing	NY-1
2. Top Binding	Ivory CAB binding w/ White & Black CAB
3. Rosette	Abalone ring
4. Soundhole Label/Stamp	Mountain Label
5. Pickguard	N/A
6. Bridge	Rosewood
7. Saddle	Bone - Two Piece Compensated
8. Bridge Pin	Ivory w/ Black Dot
9. Bridge Inlay	White Acrylic
Bridge Bolts	N/A
10. Sides	Solid Koa
11. Back	Solid Koa
12. Centerline Inlay	Ivory, Black & White CAB
13. Back Binding	Ivory CAB binding w/ White & Black CAB
14. Strap Pin	End Pin Jack, Gold
15. Peghead Face	Rosewood
16. Peghead Binding	N/A
17. Peghead Logo	Gold
18. Machine Heads	Gold w/ Pearloid buttons
19. Nut	Bone
20. Fingerboard	Ebony
21. Fingerboard Inlay	Abalone Dots
22. Fingerboard Binding	N/A
23. Fingerboard Side Markers	White Acrylic (#3, 5, 7, 9, 12, 15, 17)
24. Frets	Nickel
25. Neck	Mahogany
Truss Rod	Soundhole Access
Neck Joint	14 Fret Dovetail
26. Heel Cap	Ivory CAB
27. Preamp Assembly	TLD Buffer Preamp
28. Pickup Assembly	Palathetic Pickup
29. Cord Hook	CH1
30. Serial Number	Takamine paper sticker on heel block
Strings	D'Addario EXP light guage
Finish	Gloss Polyurethane
DIMENSIONS	(inches rounded off from metric mesurements)
A. Scale Length	630 mm 24-3/8" inches
B. Nut Width	42.5 mm 1-5/8"
C. Upper Bout Width	26.5 cm 10-7/16"
D. Lower Bout Width	36 cm 14-3/16"
E. Total Guitar Length	102 cm 40-3/16"
F. Total Body Length	49 cm 19-5/16"
G. Upper Bout Depth	9 cm 3-9/16"
H. Lower Bout Depth	10.5 cm 4-1/8"



BODY

NECK

MISC