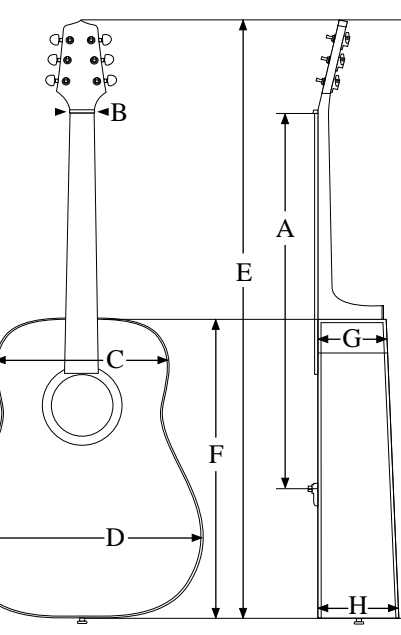
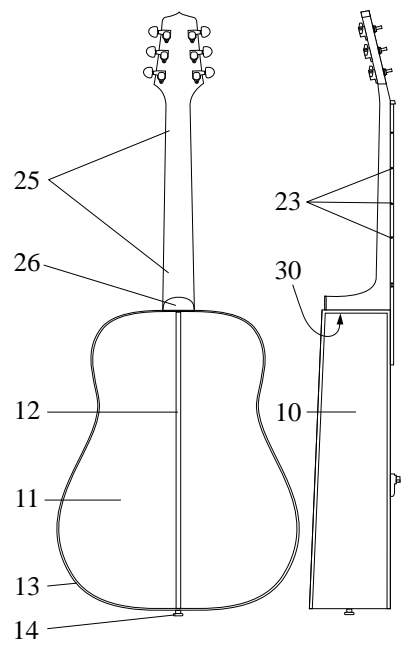
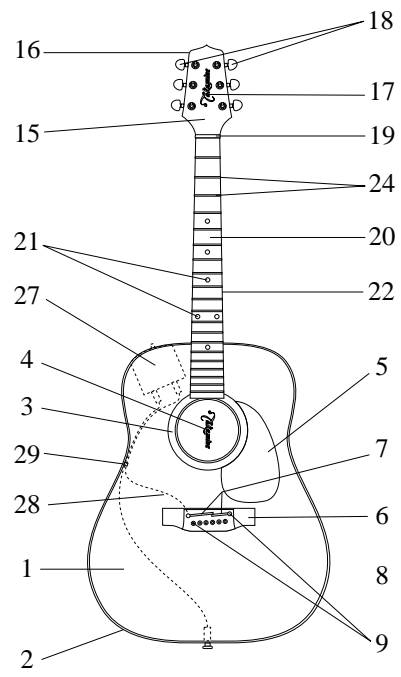


Specifications

Model #ENV-340S & #TNV-340S



COMPONENT	DESCRIPTION
Body style	Dreadnought
1. Top	Solid Bearclaw Spruce
Top Bracing	DC-1
2. Top Binding	Ivory CAB w/ Brown & White wood purfling
3. Rosette	Abalone Rosette
4. Soundhole Label/Stamp	Mountain Label
5. Pickguard	Tortoise Shell
6. Bridge	Ebony
7. Saddle	Bone - Two Piece Compensated
8. Bridge Pin	Ivory w/ Abalone dots
9. Bridge Inlay	White Acrylic
Bridge Bolts	N/A
10. Sides	Solid Mahogany
11. Back	Solid Mahogany
12. Centerline Inlay	Wooden Purfling
13. Back Binding	Ivory CAB w/ Brown & White wood purfling
14. Strap Pin	End Pin Jack, Gold
15. Peghead Face	Rosewood
16. Peghead Binding	N/A
17. Peghead Logo	Abalone
18. Machine Heads	Gold w/ Gold buttons
19. Nut	Bone
20. Fingerboard	Ebony
21. Fingerboard Inlay	Abalone Snowflakes
22. Fingerboard Binding	Ivory CAB
23. Fingerboard Side Markers	Black CAB (#3, 5, 7, 9, 12, 15, 17)
24. Frets	Nickel
25. Neck	Mahogany
Truss Rod	Two Way Truss Rod
Neck Joint	14 Fret Dovetail
26. Heel Cap	Ivory CAB
27. Preamp Assembly	CT4B Preamp (ENV-340S) • CTP-1 (TNV-340S)
28. Pickup Assembly	Palathetic Pickup
29. Cord Hook	CH1
30. Serial Number	Takamine paper sticker on heel block
Strings	D'Addario EXP light guage
Finish	Gloss Polyurethane
DIMENSIONS	(inches rounded off from metric measurements)
A. Scale Length	644 mm 25-3/8" inches
B. Nut Width	45 mm 1-3/4"
C. Upper Bout Width	30 cm 11-1/8"
D. Lower Bout Width	40 cm 15-3/4"
E. Total Guitar Length	104 cm 40-15/16"
F. Total Body Length	51 cm 20-1/16"
G. Upper Bout Depth	10 cm 4"
H. Lower Bout Depth	12.5 cm 4-15/16"



BODY

NECK

MISC