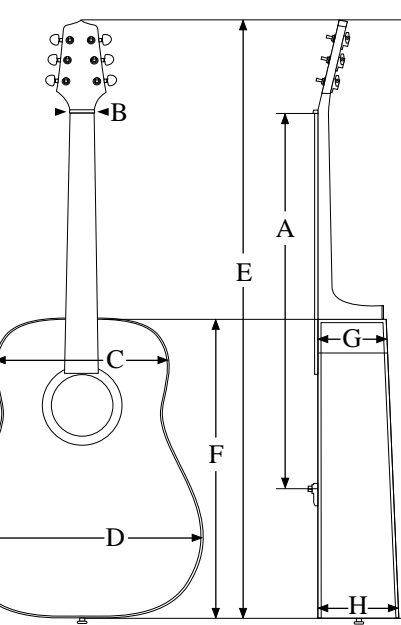
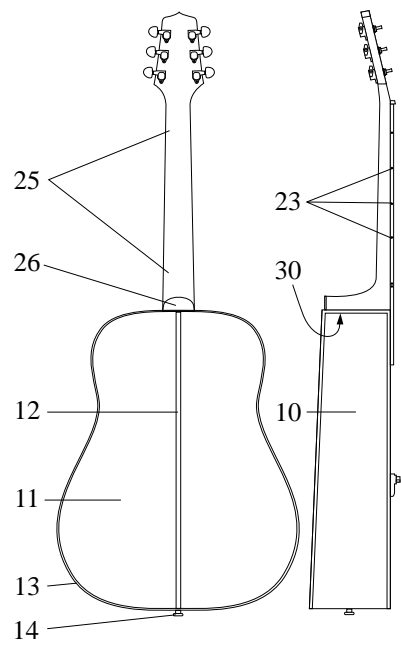
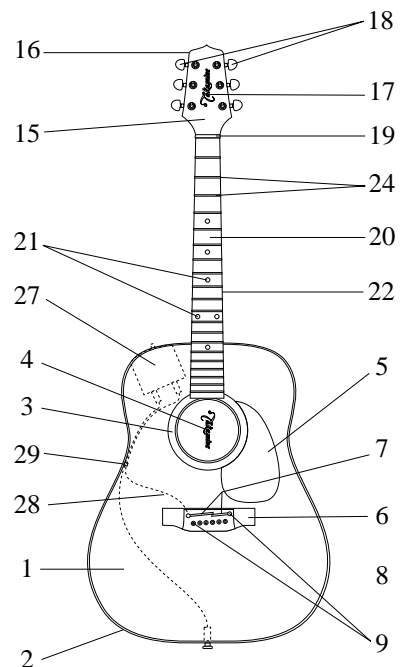


# Specifications

## Model #ENV-360S & #TNV-360S



COMPONENT	DESCRIPTION
Body style	Dreadnought
1. Top	Solid Bearclaw Spruce
Top Bracing	DC-1
2. Top Binding	Ivory CAB w/ Brown & White wood purfling
3. Rosette	Abalone Rosette
4. Soundhole Label/Stamp	Mountain Label
5. Pickguard	Tortoise Shell
6. Bridge	Ebony
7. Saddle	Bone - Two Piece Compensated
8. Bridge Pin	Ivory w/ Abalone dots
9. Bridge Inlay	White Acrylic
Bridge Bolts	N/A
10. Sides	Solid Indian Rosewood
11. Back	Solid Indian Rosewood
12. Centerline Inlay	Wooden Purfling
13. Back Binding	Ivory CAB w/ Brown & White wood purfling
14. Strap Pin	End Pin Jack, Gold
15. Peghead Face	Rosewood
16. Peghead Binding	N/A
17. Peghead Logo	Abalone
18. Machine Heads	Gold w/ Gold buttons
19. Nut	Bone
20. Fingerboard	Ebony
21. Fingerboard Inlay	Abalone Snowflakes
22. Fingerboard Binding	Ivory CAB
23. Fingerboard Side Markers	Black CAB (#3, 5, 7, 9, 12, 15, 17)
24. Frets	Nickel
25. Neck	Mahogany
Truss Rod	Two Way Truss Rod
Neck Joint	14 Fret Dovetail
26. Heel Cap	Ivory CAB
27. Preamp Assembly	CT4B Preamp (ENV-360S) • CTP-1 (TNV-360S)
28. Pickup Assembly	Palathetic Pickup
29. Cord Hook	CH1
30. Serial Number	Takamine paper sticker on heel block
Strings	D'Addario EXP light guage
Finish	Gloss Polyurethane
<b>DIMENSIONS</b>	(inches rounded off from metric measurements)
A. Scale Length	644 mm      25-3/8" inches
B. Nut Width	45 mm      1-3/4"
C. Upper Bout Width	30 cm      11-1/8"
D. Lower Bout Width	40 cm      15-3/4"
E. Total Guitar Length	104 cm      40-15/16"
F. Total Body Length	51 cm      20-1/16"
G. Upper Bout Depth	10 cm      4"
H. Lower Bout Depth	12.5 cm      4-15/16"



BODY

NECK

MISC