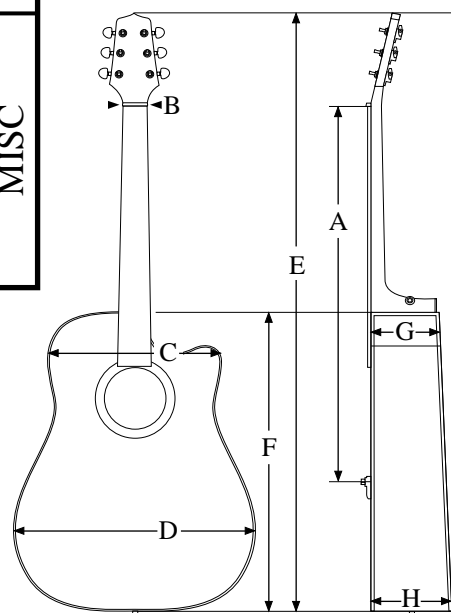
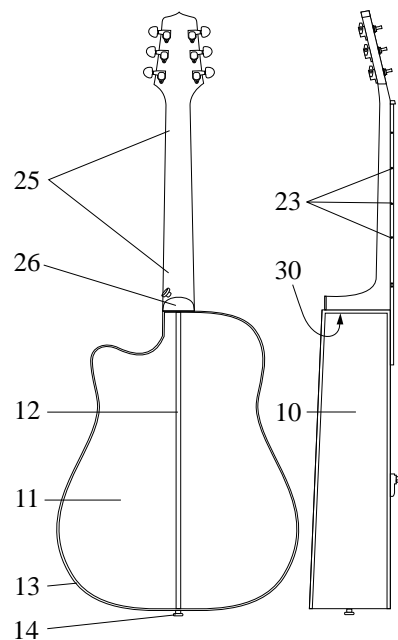
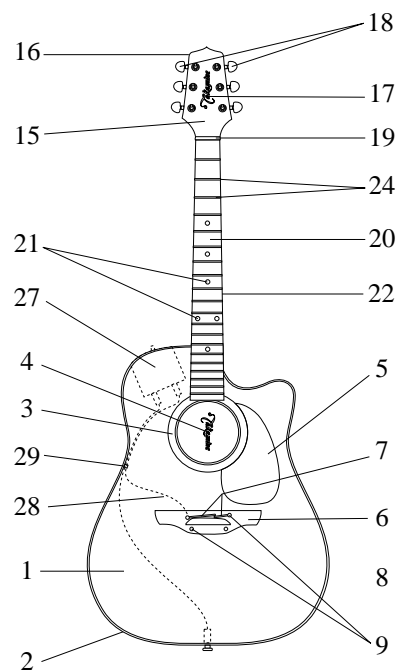


Specifications

Model #EAN-15C & TAN-15C



COMPONENT	DESCRIPTION
Body style	Dreadnought Cutaway
1. Top	Solid Cedar
Top Bracing	DC-1
2. Top Binding	Ivory CAB w/ Brown & White wood Purfling
3. Rosette	Abalone
4. Soundhole Label/Stamp	Mountain Label
5. Pickguard	N/A
6. Bridge	Indian Rosewood
7. Saddle	Bone - Two Piece Compensated
8. Bridge Pin	N/A
9. Bridge Inlay	White Acrylic / Black Acrylic
Bridge Bolts	Two w/ washers
10. Sides	Rosewood
11. Back	Solid Rosewood
12. Centerline Inlay	Ivory CAB w/ Brown & White wood Purfling
13. Back Binding	Brown & White wood Purfling
14. Strap Pin	End Pin Jack, Gold
15. Peghead Face	Rosewood
16. Peghead Binding	N/A
17. Peghead Logo	Gold
18. Machine Heads	Gold w/ Pearloid buttons
19. Nut	Bone
20. Fingerboard	Rosewood
21. Fingerboard Inlay	Abalone Dot
22. Fingerboard Binding	N/A
23. Fingerboard Side Markers	White Acrylic (#3, 5, 7, 9, 12, 15, 17)
24. Frets	Nickel
25. Neck	Mahogany
Truss Rod	Two Way Truss Rod
Neck Joint	14 Fret Dovetail
26. Heel Cap	Ivory CAB
27. Preamp Assembly	CT4B Preamp (EAN-15C) • CTP-1 (TAN-15C)
28. Pickup Assembly	Palathetic Pickup
29. Cord Hook	CH1
30. Serial Number	Takamine paper sticker on heel block
Strings	D'Addario EXP light guage
Finish	Gloss Polyurethane
DIMENSIONS	(inches rounded off from metric measurements)
A. Scale Length	644 mm 25-3/8" inches
B. Nut Width	42.5 mm 1-11/16"
C. Upper Bout Width	30 cm 11-1/8"
D. Lower Bout Width	40 cm 15-3/4"
E. Total Guitar Length	104 cm 40-15/16"
F. Total Body Length	51 cm 20-1/16"
G. Upper Bout Depth	10 cm 4"
H. Lower Bout Depth	12.5 cm 4-15/16"



BODY

NECK

MISC