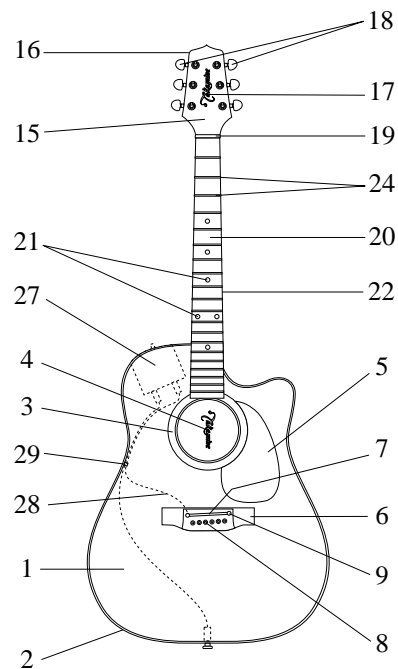


Specifications

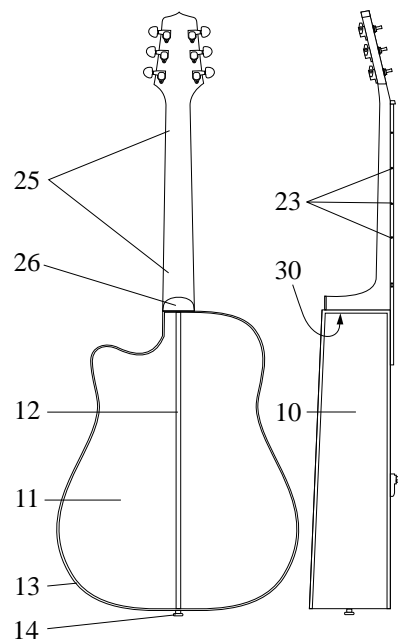
Model #EF-341DLX & TF-341DLX



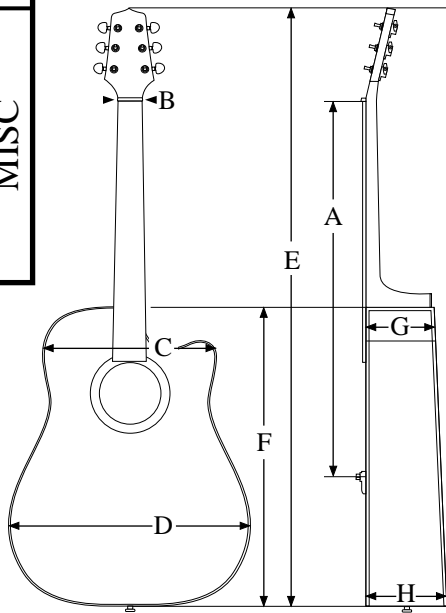
COMPONENT	DESCRIPTION
Body style	Dreadnought Cutaway
1. Top	Solid Cedar
Top Bracing	DC-1
2. Top Binding	White & Black, CAB
3. Rosette	Abalone
4. Soundhole Label/Stamp	Takamine Wood Burned Stamp
5. Pickguard	Black
6. Bridge	Rosewood
7. Saddle	Bone - Single Piece
8. Bridge Pin	White w/ Black Dot
9. Bridge Inlay	White Acrylic
Bridge Bolts	N/A
10. Sides	Mahogany
11. Back	Solid Mahogany
12. Centerline Inlay	White CAB
13. Back Binding	White CAB
14. Strap Pin	End Pin Jack, Chrome
15. Peghead Face	Black
16. Peghead Binding	White CAB
17. Peghead Logo	Silver
18. Machine Heads	Chrome w/ Pearloid Buttons
19. Nut	Bone
20. Fingerboard	Rosewood
21. Fingerboard Inlay	Abalone Snowflakes
22. Fingerboard Binding	White CAB
23. Fingerboard Side Markers	Black Acrylic (#3, 5, 7, 9, 12, 15, 17)
24. Frets	Nickel
25. Neck	Mahogany
Truss Rod	Soundhole Access
Neck Joint	14 Fret Dovetail
26. Heel Cap	White
27. Preamp Assembly	CT4B (EF-341DLX), CTP-1 (TF-341DLX)
28. Pickup Assembly	Palathetic Pickup
29. Cord Hook	CH1
30. Serial Number	Takamine paper sticker on heel block
Strings	D'Addario EXP Light Gauge
Finish	Gloss Black Polyurethane
DIMENSIONS	(inches rounded off from metric measurements)
A. Scale Length	644 mm 25-3/8" inches
B. Nut Width	42.5 mm 1-11/16"
C. Upper Bout Width	30 cm 11-1/8"
D. Lower Bout Width	40 cm 15-3/4"
E. Total Guitar Length	104 cm 40-15/16"
F. Total Body Length	51 cm 20-1/16"
G. Upper Bout Depth	10 cm 4"
H. Lower Bout Depth	12.5 cm 4-15/16"



BODY



NECK



MISC